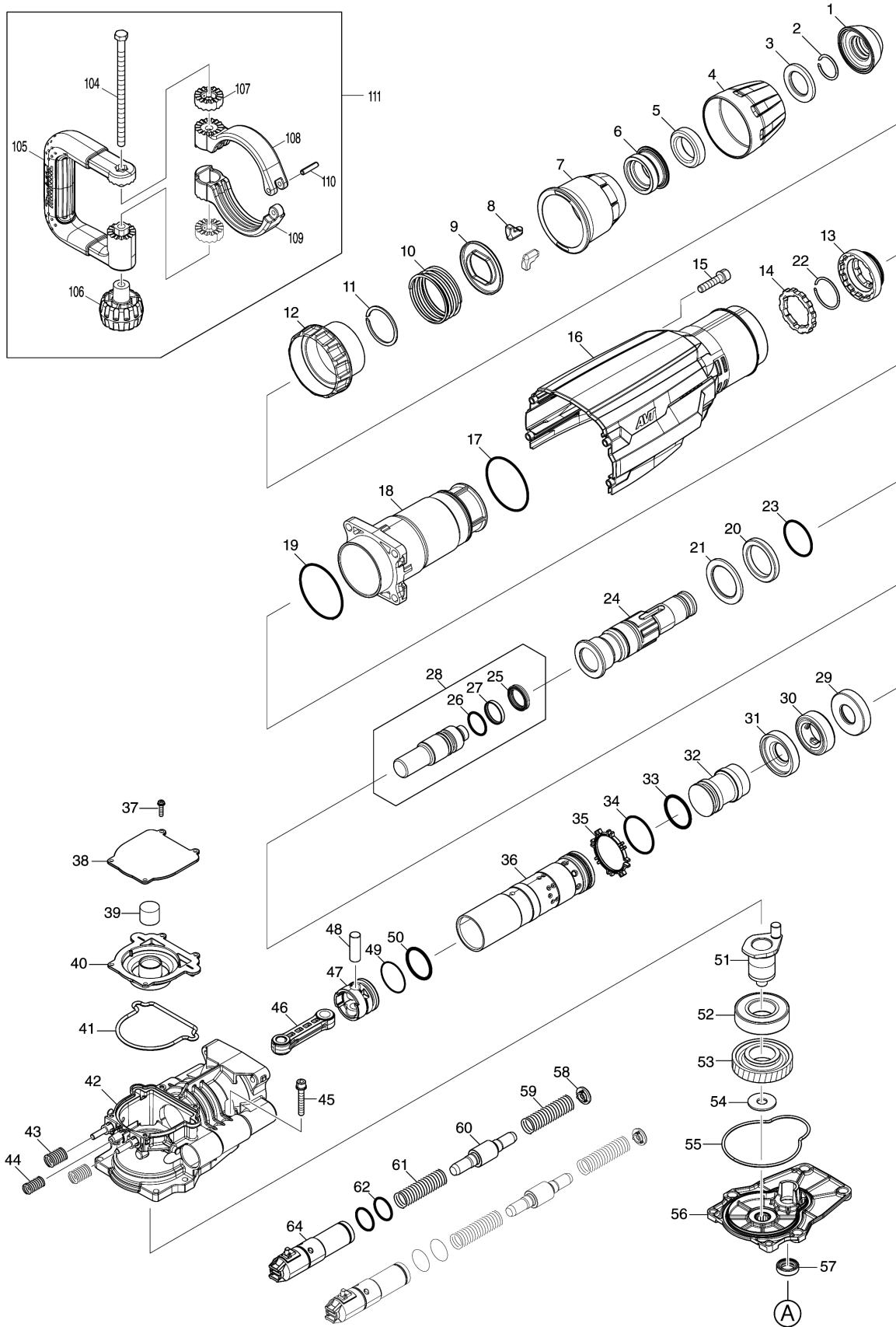
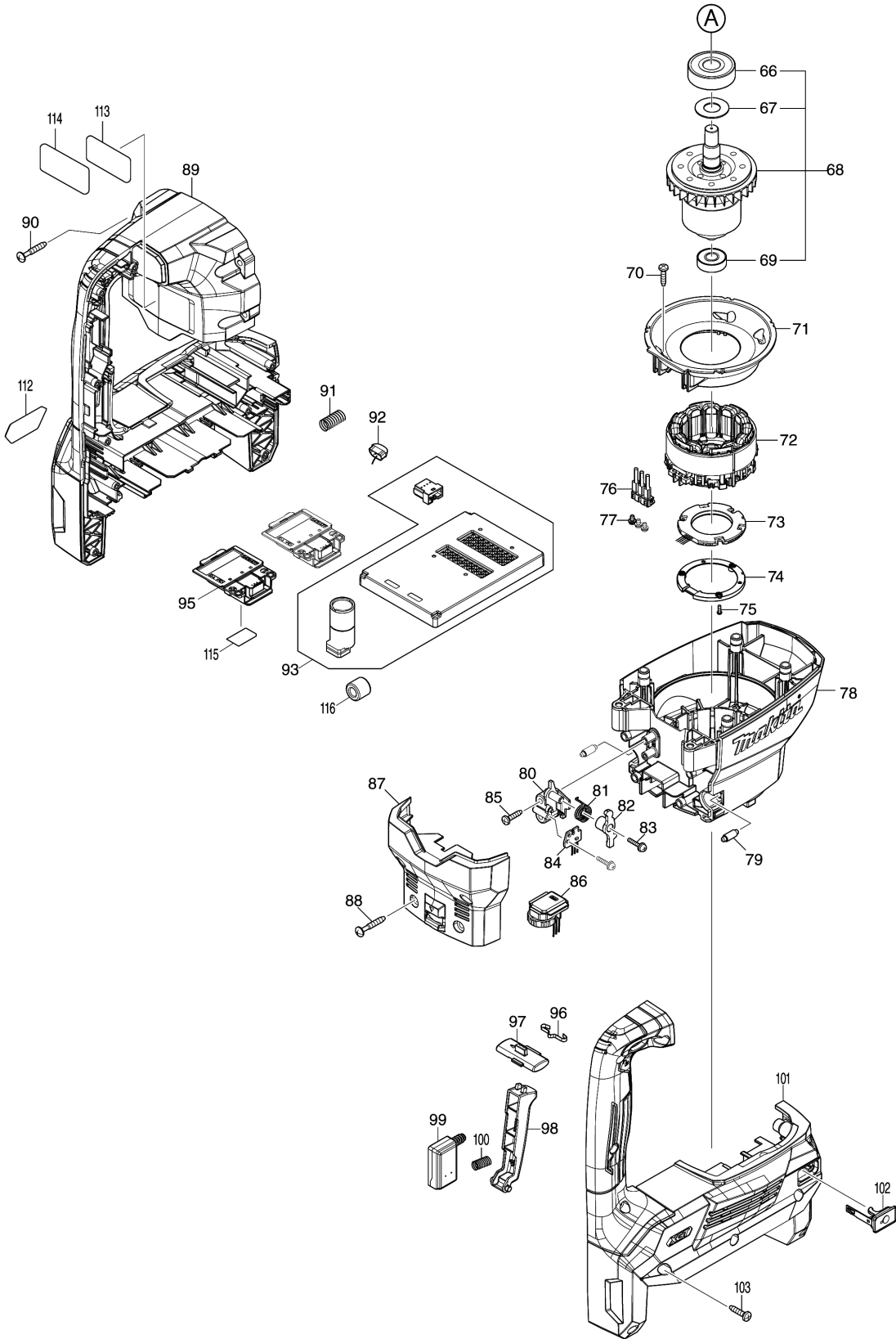


Model No.HM002G CORDLESS DEMOLITION HAMMER



Model No.HM002G CORDLESS DEMOLITION HAMMER



Model No.HM002G CORDLESS DEMOLITION HAMMER

| Position | Artikel-Nr. | Beschreibung | I/C | Stk. | New/Old | Opt. 1 | Opt. 2 | Hinweis |
|----------|-------------|-----------------------------|-----|------|---------|--------|--------|---------|
| 001 | 424165-8 | Staubschutzkappe | | 1 | | | | |
| 002 | 233973-4 | Sprengring 26 | | 1 | | | | |
| 003 | 267386-7 | Scheibe 30 | | 1 | | | | |
| 004 | 450894-7 | Schutzabdeckung | | 1 | | | | |
| 005 | 262147-0 | Gummiring 30 | | 1 | | | | |
| 006 | 324987-5 | Entriegelungsbuchse | | 1 | | | | |
| 007 | 450895-5 | Abdeckung | | 1 | | | | |
| 008 | 310279-8 | Werkzeughalter | | 2 | | | | |
| 009 | 346015-6 | Federteller | | 1 | | | | |
| 010 | 234086-4 | Druckfeder 56 | | 1 | | | | |
| 011 | 961232-3 | Sicherungsring WR-45 | | 1 | | | | |
| 012 | 450893-9 | Stellingabdeckung | | 1 | | | | |
| 013 | 324969-7 | Stelling | | 1 | | | | |
| 014 | 324988-3 | Ring | | 1 | | | | |
| 015 | 922456-6 | Innen-6 Kant-Schraube M8x35 | | 4 | | | | |
| 016 | 413268-3 | HOUSING COVER | | 1 | | | | |
| 017 | 213664-3 | O-Ring 60 | | 1 | | | | |
| 018 | 140Y02-5 | BARREL COMPLETE | | 1 | | | | |
| 019 | 213720-9 | O-Ring 67 | | 1 | | | | |
| 020 | 262148-8 | Gummiring 39 | | 1 | | | | |
| 021 | 267387-5 | Scheibe 39 | | 1 | | | | |
| 022 | 233970-0 | Sprengring 35 | | 1 | | | | |
| 023 | 213079-4 | O-Ring 35.5 | | 1 | | | | |
| 024 | 324985-9 | Werkzeugaufnahme | | 1 | | | | |
| 025 | 213980-3 | X-Ring 21 | | 1 | | | | |
| 026 | 213394-6 | O-Ring 23 | | 1 | | | | |
| 027 | 213431-6 | Ring 28 | | 1 | | | | |
| 028 | 136391-4 | IMPACT BOLT ASSY | | 1 | | | | |
| D10 | | INC. 25-27 | | | | | | |
| 029 | 324993-0 | Stufenscheibe | | 1 | | | | |
| 030 | 262149-6 | Gummiring 24 | | 1 | | | | |
| 031 | 324993-0 | Stufenscheibe | | 1 | | | | |
| 032 | 327739-3 | STRIKER | | 1 | | | | |
| 033 | 213499-2 | O-Ring 31.5 | | 1 | | | | |
| 034 | 213581-7 | O-Ring 44 | | 1 | | | | |
| 035 | 450889-0 | Führungsring | | 1 | | | | |
| 036 | 327741-6 | CYLINDER 40 | | 1 | | | | |
| 037 | 911133-5 | Kombi-Schraube M4x18 | | 4 | | | | |
| 038 | 413273-0 | CRANK CAP COVER | | 1 | | | | |
| 039 | 443127-7 | Filter | | 1 | | | | |
| 040 | 413272-2 | CRANK CAP | | 1 | | | | |
| 041 | 422658-9 | SEAL RING A | | 1 | | | | |

Model No.HM002G CORDLESS DEMOLITION HAMMER

| Position | Artikel-Nr. | Beschreibung | I/C | Stk. | New/Old | Opt. 1 | Opt. 2 | Hinweis |
|----------|-------------|--------------------------|-----|------|---------|--------|--------|---------|
| 042 | 140Y06-7 | CRANK HOUSING COMPLETE | | 1 | | | | |
| 043 | 232662-8 | COMPRESSION SPRING 12 | | 2 | | | | |
| 044 | 232664-4 | COMPRESSION SPRING 10 | | 1 | | | | |
| 045 | 922363-3 | Kombi-Schraube M6x40 | | 6 | | | | |
| 046 | 413277-2 | CONNECTING ROD | | 1 | | | | |
| 047 | 450961-8 | Kolben | | 1 | | | | |
| 048 | 268121-6 | Stift 12 | | 1 | | | | |
| 049 | 213149-9 | O-Ring 35 | | 1 | | | | |
| 050 | 213499-2 | O-Ring 31.5 | | 1 | | | | |
| 051 | 327740-8 | CRANK SHAFT | | 1 | | | | |
| 052 | 210254-3 | BALL BEARING 6206LLB | | 1 | | | | |
| 053 | 226691-1 | Stirnrad 57 | | 1 | | | | |
| 054 | 267398-0 | Scheibe 12 | | 1 | | | | |
| 055 | 422659-7 | SEAL RING B | | 1 | | | | |
| 056 | 140Y03-3 | GEAR HOUSING COMPLETE | | 1 | | | | |
| 057 | 213231-4 | Dichtring 15 | | 1 | | | | |
| 058 | 413275-6 | SPRING PLATE | | 2 | | | | |
| 059 | 232691-1 | COMPRESSION SPRING 15 | | 2 | | | | |
| 060 | 324992-2 | Kontergewicht | | 2 | | | | |
| 061 | 232691-1 | COMPRESSION SPRING 15 | | 2 | | | | |
| 062 | 213953-6 | O-Ring 24 | | 4 | | | | |
| 064 | 140Y04-1 | HOLDER COMPLETE | | 2 | | | | |
| 066 | 210253-5 | BALL BEARING 6302DDW | | 1 | | | | |
| 067 | 267397-2 | Scheibe 15 | | 1 | | | | |
| 068 | 519651-3 | ROTOR ASS'Y | | 1 | | | | |
| D10 | | INC. 66,67,69 | | | | | | |
| 069 | 210059-1 | Rillenkugellager 6000DDW | | 1 | | | | |
| 070 | 265995-6 | Schraube 4x18 | | 4 | | | | |
| 071 | 413271-4 | BAFFLE PLATE | | 1 | | | | |
| 072 | 629A27-3 | STATOR | | 1 | | | | |
| 073 | 620E26-2 | CONTROLLER B | | 1 | | | | |
| 074 | 687B69-9 | Stopper | | 1 | | | | |
| 075 | 266490-9 | Blechschaube 2x6 | | 3 | | | | |
| 076 | 632R89-4 | LEAD UNIT | | 1 | | | | |
| 077 | 652031-1 | Flachkopfschraube M3x6 | | 3 | | | | |
| 078 | 413266-7 | MOTOR HOUSING | | 1 | | | | |
| 079 | 256380-4 | Stift 4x6 | | 2 | | | | |
| 080 | 412985-2 | Trägerplatte | | 1 | | | | |
| 081 | 232643-2 | Spiralfeder 13 | | 1 | | | | |
| 082 | 140W48-9 | Hebel | | 1 | | | | |
| 083 | 263046-9 | Blechschaube 3x14 | | 2 | | | | |
| 084 | 620E28-8 | SENSOR CIRCUIT | | 1 | | | | |

Model No.HM002G CORDLESS DEMOLITION HAMMER

| Position | Artikel-Nr. | Beschreibung | I/C | Stk. | New/Old | Opt. 1 | Opt. 2 | Hinweis |
|----------|-------------|------------------------------|-----|------|---------|--------|--------|---------|
| 085 | 265995-6 | Schraube 4x18 | | 2 | | | | |
| 086 | 620E29-6 | DIAL CIRCUIT | | 1 | | | | |
| 087 | 140Y05-9 | MOTOR HOUSING COVER COMPLETE | | 1 | | | | |
| C10 | 422660-2 | RUBBER SHEET | | 1 | | | | |
| 088 | 266041-8 | Schraube 5x25 | | 4 | | | | |
| 089 | 183T10-3 | HOUSING SET | | 1 | | | | |
| C10 | 263005-3 | Gummistift 6 | | 8 | | | | |
| C20 | 347755-9 | Gehäuseführung | | 2 | | | | |
| C30 | 422646-6 | Kappe 10 | | 2 | | | | |
| C40 | 347782-6 | PLATE | | 4 | | | | |
| D10 | | INC. 101 | | | | | | |
| 090 | 266041-8 | Schraube 5x25 | | 4 | | | | |
| 091 | 232663-6 | COMPRESSION SPRING 8 | | 1 | | | | |
| 092 | 620E27-0 | LED CIRCUIT | | 1 | | | | |
| 093 | 620E31-9 | CONTROLLER | | 1 | | | | |
| 095 | 632R98-3 | TERMINAL UNIT | | 2 | | | | |
| 096 | 232152-1 | Blattfeder | | 1 | | | | |
| 097 | 412981-0 | Schalerverriegelung | | 1 | | | | |
| 098 | 458097-7 | Schalthebel | | 1 | | | | |
| 099 | 651083-9 | Schalter C3XA-1PSPM | | 1 | | | | |
| 100 | 232418-9 | Druckfeder 5 | | 1 | | | | |
| 101 | 183T10-3 | HOUSING SET | | 1 | | | | |
| C10 | 263005-3 | Gummistift 6 | | 8 | | | | |
| C20 | 347755-9 | Gehäuseführung | | 2 | | | | |
| C30 | 422646-6 | Kappe 10 | | 2 | | | | |
| C40 | 347782-6 | PLATE | | 4 | | | | |
| D10 | | INC. 89 | | | | | | |
| 102 | 140F99-0 | Anzeige Funkverbindung kpl. | | 1 | | | | |
| C10 | 213218-6 | O-Ring 16 | | 1 | | | | |
| C20 | 818H07-8 | Schild Funkadapter | | 1 | | | | |
| 103 | 265995-6 | Schraube 4x18 | | 10 | | | | |
| 104 | 265439-6 | Sechskantschraube M8x150 | | 1 | | | | |
| 105 | 417003-1 | Bügelgriff | | 1 | | | | |
| 106 | 252640-2 | Feststellknopf M8 | | 1 | | | | |
| 107 | 417002-3 | Griffklemme | | 2 | | | | |
| 108 | 318505-9 | Bügelgriffhalter A | | 1 | | | | |
| 109 | 318506-7 | Bügelgriffhalter B | | 1 | | | | |
| 110 | 951166-8 | Federstift 5x24 | | 1 | | | | |
| 111 | 135269-8 | Bügelgriff kpl. | | 1 | | | | |
| D10 | | INC. 104-110 | | | | | | |
| 112 | 8029M5-9 | XGT LOGO LABEL | | 1 | | | | |
| 113 | 8029M4-1 | CLEAR LABEL | | 1 | | | | |